



DESCRIPTION

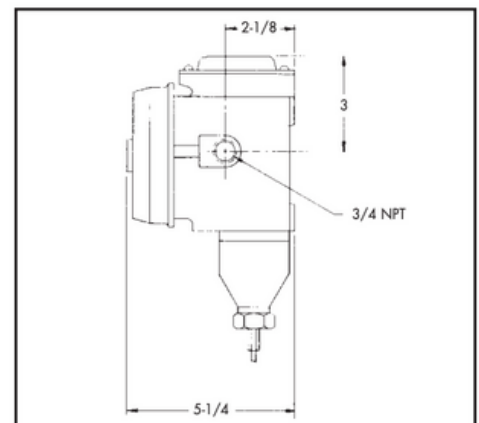
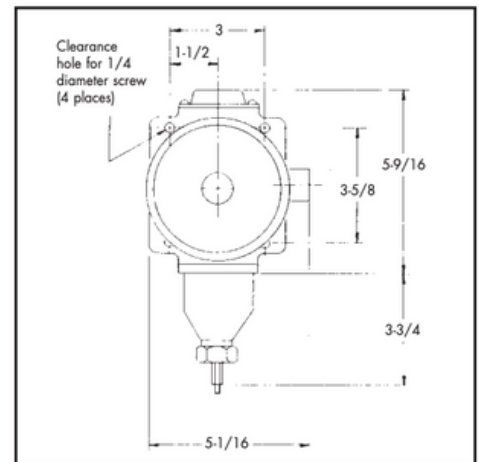
The ASTX thermostat is an explosion proof and weatherproof temperature control in a lightweight die cast enclosure with a calibrated dial and an external knob adjustment for outdoor or indoor locations. The thermostat is approved for use in Class I, Groups B, C, and D; Class II, Groups E, F, G; and Class III hazardous locations. The liquid-filled thermal system, with its stainless steel bulb and capillary, provides a very dependable and accurate control system.

WIRING

For heater control, low alarm (close on falling temperature) use COM and NC. For high alarm (close on rising temperature) use COM and NO.

SPECIFICATIONS

Enclosure	Die cast aluminum with gray aluminum lacquer. NEMA 4X, 7, 9; weather-proof, explosion proof Class I: Groups B, C, D; Class II: Groups E, F, G; Class III
Connection	Screw terminals on terminal block through 3/4-NPT hub
Switch	SPDT UL listed with external knob/dial adjustment and tamper-proof adjustment
Rating	22 amps at 480 VAC
Range	15° - 140°F
Sensor	304 SS sensor stem
Approval	UL listed
Accuracy	+/-1% of adjustment range



Typical installation for ASTX line sensing controller mounted on a pipe.

